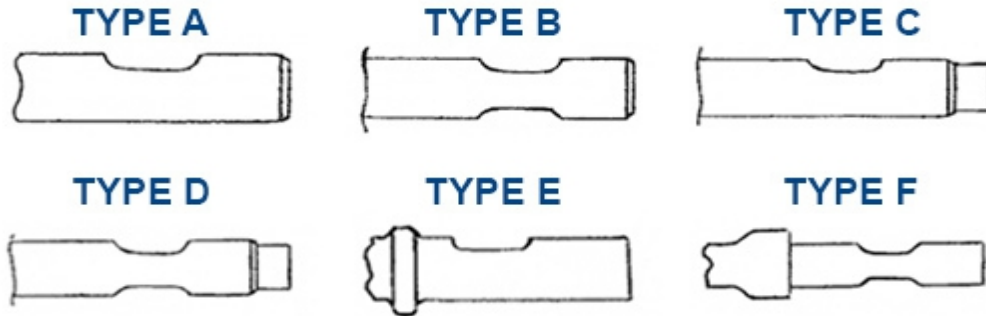


# FURUKAWA



| MODELE MARTEAU             | DIAMETRE<br>(mm) | LONGUEUR<br>(mm) | TYPE |
|----------------------------|------------------|------------------|------|
| HB 05 R                    | 30               | 350              | A    |
| F 1 - FX 15 - HB 1G        | 36               | 400              | A    |
| F 2 - FX 2 - FX 25 - HB 2G | 45               | 460              | A    |
| F 3 - F 3LN - FX 35        | 52               | 510              | A    |
| HB 100                     | 55               | 460              | A    |
| F 4 - FX 45 - HB 3G        | 59               | 560              | A    |
| F 5 - F 5LN - FX 55        | 67               | 600              | A    |
| HB 200                     | 70               | 600              | A    |
| HB 5G                      | 75               | 640              | B    |
| F 6 - F 6LN - FX 65        | 75               | 740              | D    |
| HB 8G - HB 500             | 90               | 760              | B    |
| HB 450                     | 90               | 800              | A    |
| F 9                        | 90               | 850              | D    |
| HB 400                     | 95               | 800              | A    |
| F 12                       | 105              | 1090             | D    |
| HB 10G                     | 105              | 1010             | B    |
| HB 700                     | 105              | 930              | B    |
| F 19                       | 120              | 1180             | D    |
| HB 15G                     | 120              | 970              | B    |
| F 22                       | 135              | 1250             | D    |
| HB 20G                     | 135              | 1210             | B    |
| F 27                       | 140              | 1300             | D    |
| HB 1200 - HB 1500          | 140              | 1200             | B    |
| HB 1800 - HB 2000          | 140              | 1200             | B    |
| F 35                       | 150              | 1400             | D    |
| HB 30G                     | 150              | 1300             | B    |
| HB 40G                     | 160              | 1350             | B    |
| F 45                       | 165              | 1510             | D    |
| HB 50G                     | 180              | 1500             | B    |
| F 70                       | 180              | 1610             | D    |