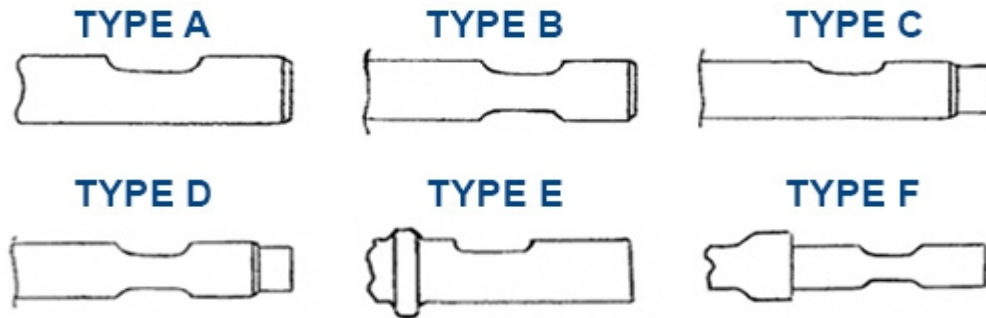


ITALDEM



MODELE MARTEAU	DIAMETRE (mm)	LONGUEUR (mm)	TYPE
GK 85 - GK 86 - MK 95	45	450	D
K 80	45	500	D
GK 160 - GK 161	56	520	D
MK 135	56	450	B
MK 175	60	650	D
GK 210 - GK 211	68	540	D
GK 290 - GK 291 - MK 350	80	700	D
K 270	80	700	D
GK 360 - GK 361 - GK 361 S	85	700	D
K 550	95	850	B
GK 600 - GK 610 - GK 620 - MK 650	105	900	B
GK 950 - GK 960 - MK 850	114	1000	D
K 1000	114	1000	B
GK 1050	114	1050	B
K1030	118	1000	D
GK 1350 - MK 1300	119	1000	D
K 1300	120	1100	D
GK 1351 S	120	1100	B
GK 1600 - MK 1700	130	1150	D
GK 1550 - GK 1550 S	132	1200	B
GK1800	140	1250	B
K 1900	140	1350	D
GK 2300 S - GK 2500 S	150	1300	B
GK 2400 - MK 2600	150	1300	D
GK 2800	165	1300	B
GK 3400 - MK 3500	170	1280	D