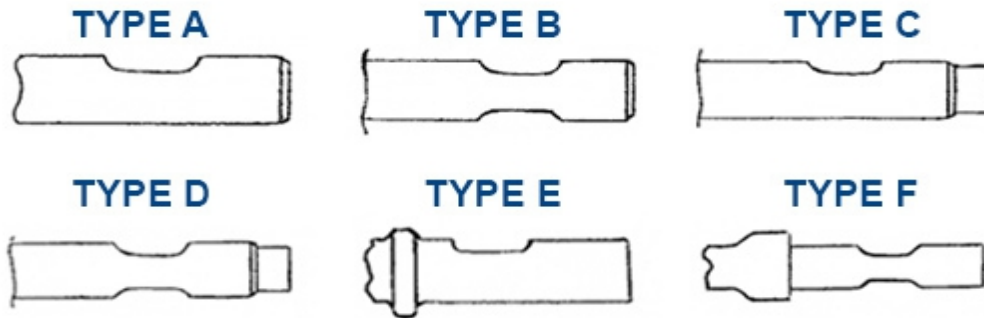


KENT



MODELE MARTEAU	DIAMETRE (mm)	LONGUEUR (mm)	TYPE
KF1 - KHB 1 G - KHB 10	36	400	A
KF2 - KHB 2 G II - KHB 20	45	460	A
KF 3	52	510	A
KF4 - KHB 3 G II - KHB 30	60	560	A
KF5	68	600	A
KF6	75	740	D
KHB 5 G II - KHB 50	75	640	B
KF 9	90	850	D
KHB 8 G II - KHB 80	90	760	B
KF 12	105	1090	D
KHB 10 G II - KHB 100	105	1010	B
KF 19	120	1180	D
KHB 15 G II - KHB 150	120	970	B
KF 22	135	1250	D
KHB 20 G II - KHB 200	135	1210	B
KF 27	140	1300	D
KF 35	150	1400	D
KHB 30 G II - KHB 300	150	1300	B
KHB 40 G II - KHB 400	160	1350	B
KF 45	165	1510	D
KF 70	180	1610	D
KHB 50 G II - KHB 500	180	1500	B