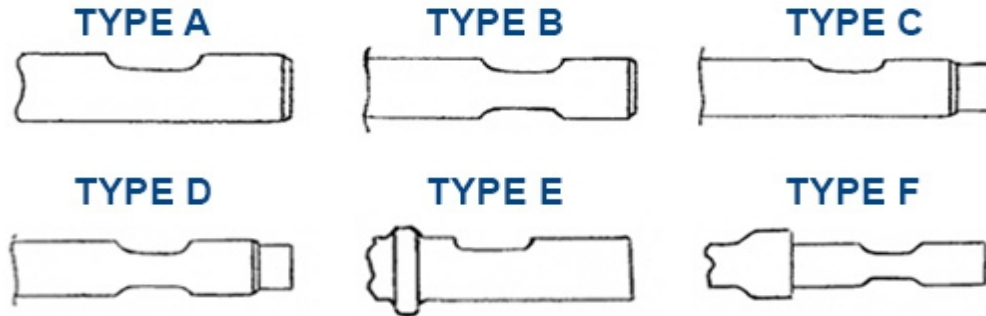


PROMOVE



MODELE MARTEAU	DIAMETRE (mm)	LONGUEUR (mm)	TYPE
P 3 - P 3SH - PMV 90 - MHD 9	45	500	D
P 3P - P 3PS - XP 100	46	450	A
P 4 - P 4SH - PMV 140	54	500	A
P 5/ 5P/ 5PS - PMV 110/ 150 - XP 150 - MHD 15	56	500	A
P 6 - PMV 190 - P 6SH	60	600	A
P 6P - P 6PS - MHD 25P - MHD 25PS	64	550	A
P 6 - PMV 190	64	600	C
P 12/ 12SB/ 12SH - PMV 290 - PMV 390 - MHD 29	80	650	D
P 12P/ 12PS - PMV 300P/ 400PS - MHD 30P/ 40PS XP 300 - XP 400 - XP 450	80	700	B
P 13SH	80	700	B
P 14 - P 14SH - PMV 590	90	850	D
P 16 - P 16SH - PMV 690	95	850	B
P 18PS - XP 800	100	850	B
P 23 - P 23SH - PMV 1000	114	1000	B
P 22	118	1000	D
P 24 - P 24PS - XP 1200 - MHD 120	120	970	B
P 27 - P 27SH - PMV 1390	120	1100	D
P 26 PS - XP 1500	130	1100	B
P 32 - PMV 1590 - XP 1700	135	1210	B
P 35	140	1350	D
P 38PS - XP 2400	150	1300	B
P 45 - XP 3100	160	1410	B
P 40 - PMV 4000	169	1450	B
P 60	180	1450	B